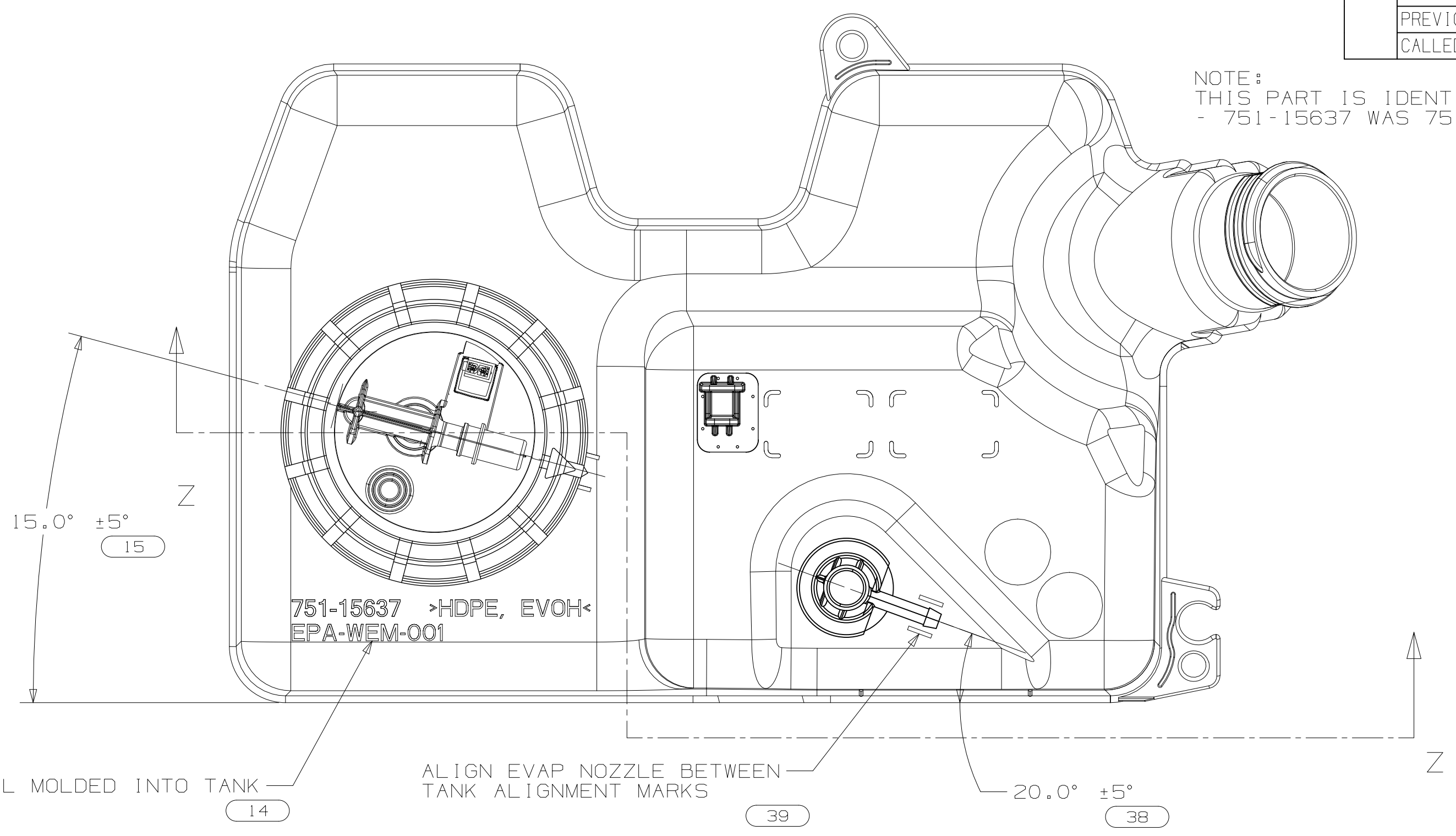
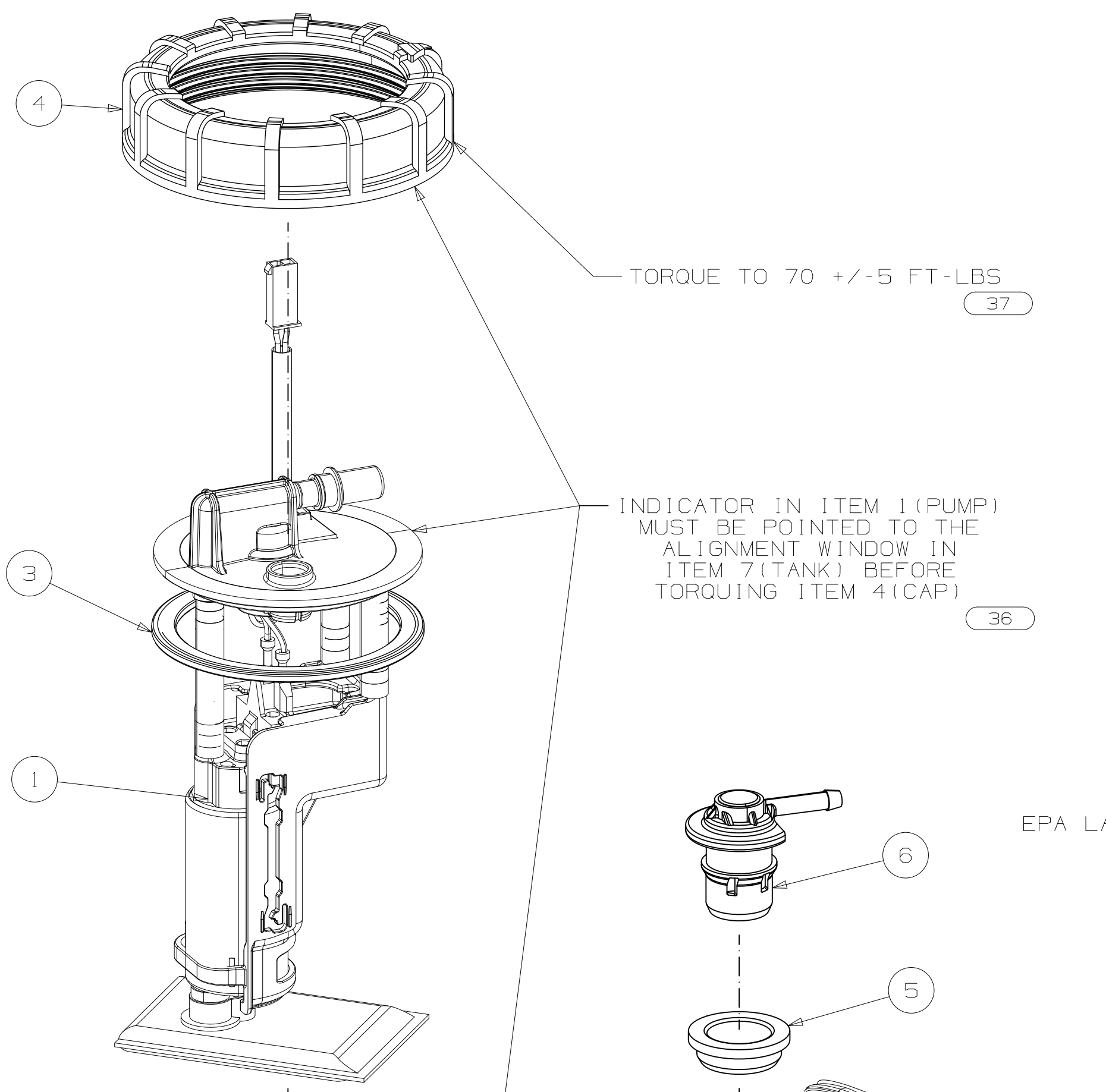


REVISIONS			
REV	DESCRIPTION	DATE	BY
00	INITIAL RELEASE	11/28/2016	AANDREY
01	693-00100 WAS 693-00101 IN PREVIOUS REVISION BUT GROUP SHOULD HAVE NEVER CALLED FOR 693-00101	03/09/2017	CSTANISH

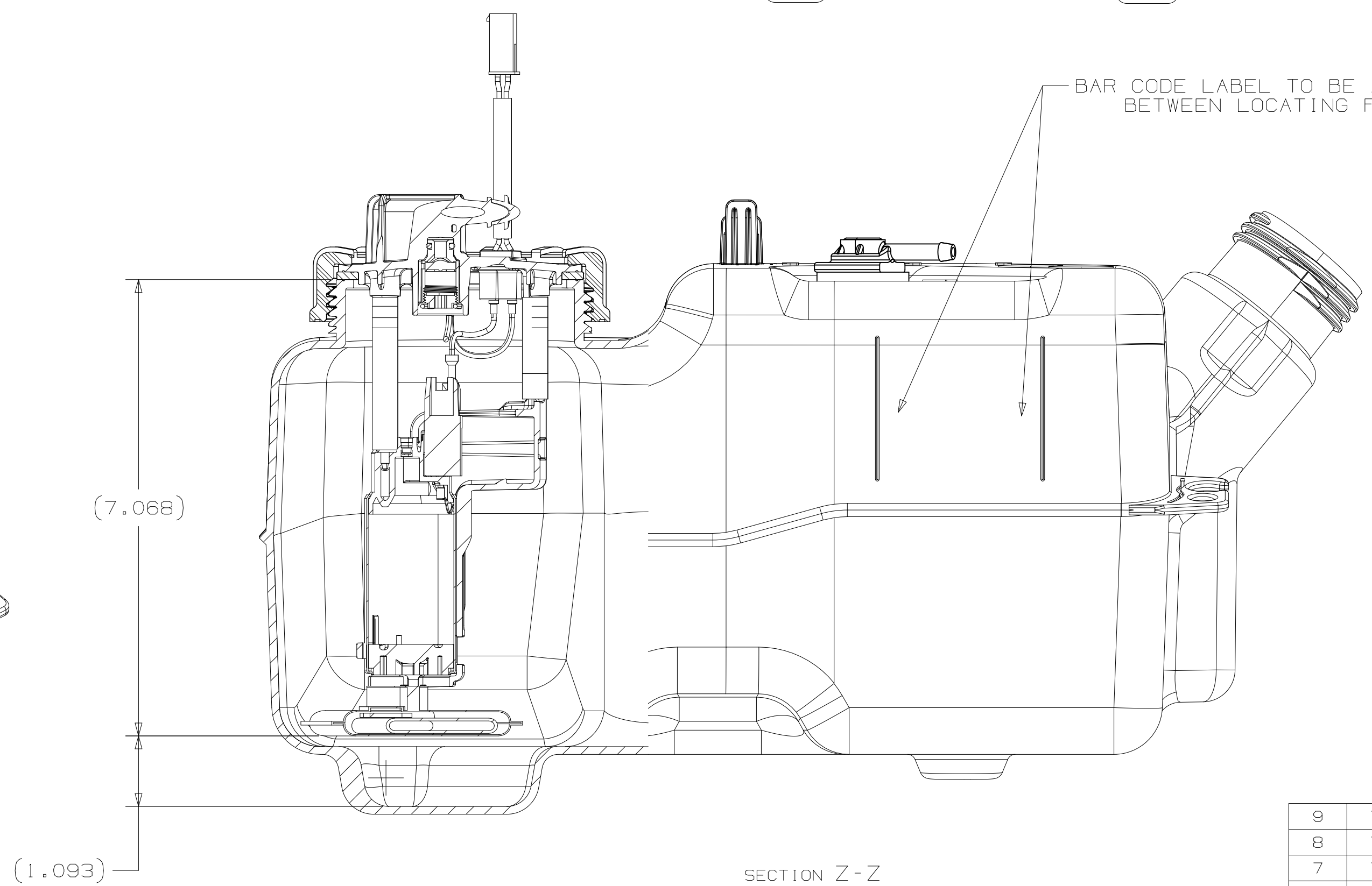
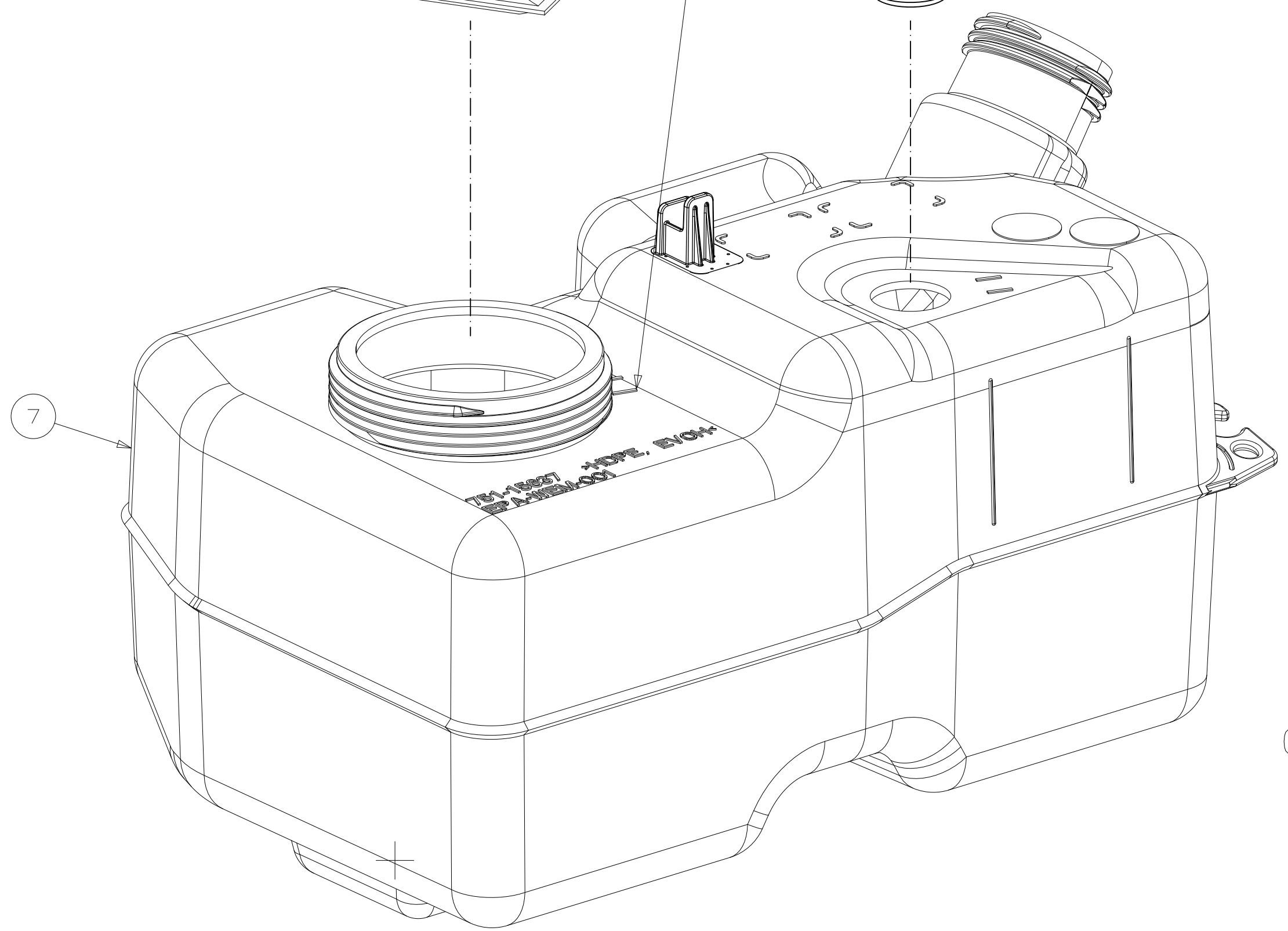
NOTE:
THIS PART IS IDENTICAL TO 651-05281 EXCEPT:
- 751-15637 WAS 751-15002.



EPA LABEL MOLDED INTO TANK

ALIGN EVAP NOZZLE BETWEEN TANK ALIGNMENT MARKS

BAR CODE LABEL TO BE AFFIXED TO FLAT SURFACE BETWEEN LOCATING FEATURES ON THE TANK



SECTION Z-Z

9	777X44963	1	LBL:GAS TANK:TEMPLATE:EPA
8	777X44962	1	LBL:GASTANK:TEMPLATE:QUALITY
7	751-15637	1	TANK:FUEL:EFI:2.5-GAL
6	751-12118	1	VALVE:ROLLOVER:FUEL:1/4:BLACK
5	735-04081	1	GROM:RUBR:23.0 ID X 3.55 THK
4	731-11151	1	CAP:EFI:PPA
3	721-04762	1	GSKT:PPA:WALBRO
2	701-01014	1	SPEC:FUEL TANK
1	693-00100	1	PUMP ASM:ELEC
ITEM NO.	PART NO.	QTY	DESCRIPTION

NOTE:
1. PART SHALL COMPLY WITH 701-01014.
2. APPROVED SOURCE: WALBRO

This drawing contains Major and/or Key Characteristics as defined in the MTD Supplier Quality Requirements Guide, Doc. 91258001.
Key Characteristic
Major Characteristic

PROJECTION	DRAWN BY AANDREY	DATE 11/28/2016
	APPROVED BY <i>Andrey</i>	
SIMILAR PART 651-05281	STATUS P-Production	DATE 03/14/2017
	MATERIAL	
	FINISH	

MTD PRODUCTS INC.	
ITEM DESCRIPTION	
TANK EFI ASM:2.5 GAL:LOW-PRM	
SIZE D	ITEM NO. 651-05518
SCALE 1/2	EST.WT.
	SHEET 1 OF 1